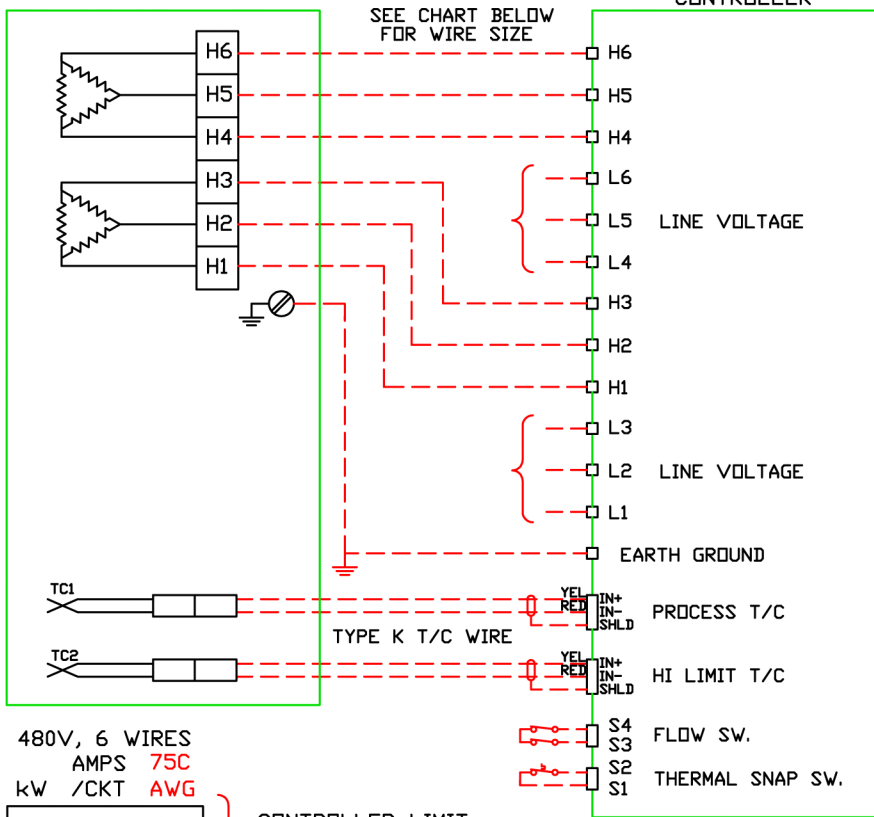


FLOW TORCH FT800

SEE CHART BELOW FOR WIRE SIZE

FCP 7550E40-2 CONTROLLER



480V, 6 WIRES
AMPS 75C
kW /CKT AWG

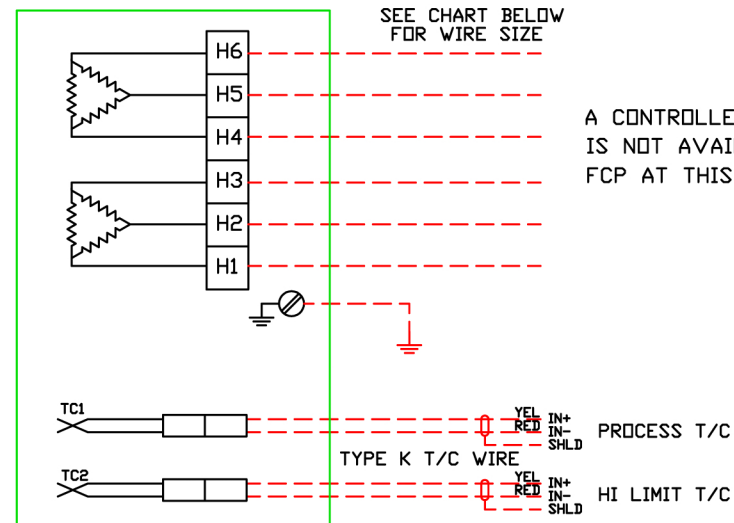
75	45	8
70	42	8
65	39	8
60	36	8
55	33	8
50	30	10
45	27	10
40	24	12

CONTROLLER LIMIT IS 40 AMPS/CKT (OTHER CONTROL REQ'D)

480V, 3 PH

FLOW TORCH FT800

SEE CHART BELOW FOR WIRE SIZE



A CONTROLLER FOR 575V IS NOT AVAILABLE FROM FCP AT THIS TIME.

575V, 6 WIRES
AMPS 75C
kW /CKT AWG

75	37.7	8
70	35.2	8
65	32.7	8
60	30.2	8
55	27.6	10
50	25.1	10
45	22.6	10
40	20.1	10

575V, 3 PH

NOTES:

- 1.) FIELD WIRING (BY USER) IS INDICATED AS - - - - -
- 2.) THE SUGGESTED WIRE SIZE IS SHOWN IN THE CHARTS.
- 3.) ALL T/C WIRING IS TYPE K.
- 4.) FACTORY WIRING OF THE ELEMENTS IS 10AWG, 600V, 200C WIRE.
- 5.) THE TERMINAL BLOCK IS RATED 85A; WIRE RANGE IS 4-18AWG.
- 6.) DO NOT RUN CONTROL SIGNAL WIRING WITH POWER WIRING.
- 7.) ALL WIRING AND INSTALLATION SHALL COMPLY WITH LOCAL AND NATIONAL ELECTRIC CODE (N.E.C.).