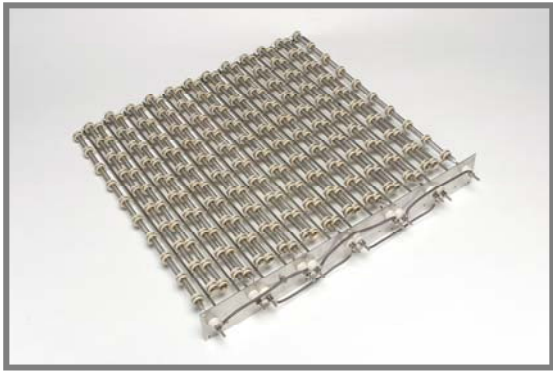
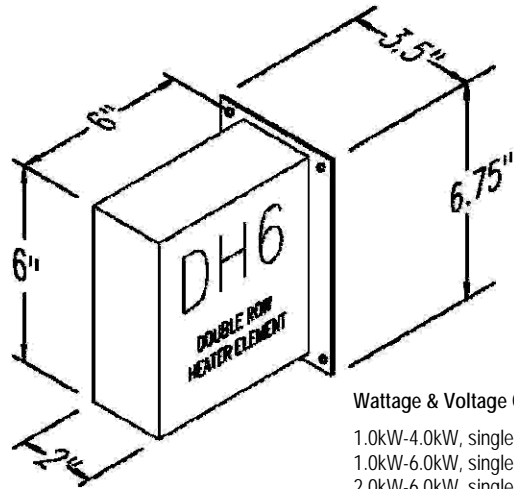


DUCT HEATER



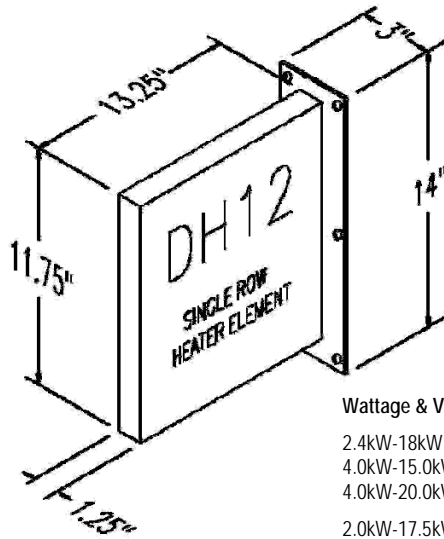
DH

- The rugged, efficient, open Frame Duct Heaters offer you the capability to heat large volumes of air with fast warm-ups and cool-downs.
- Our open design provides low pressure drops with no build up of excessive temperatures and the low static pressures allow you to use smaller, more economical blowers.
- Circuits are exposed directly to the air flow enabling immediate heat transfer from wire to air while remaining relatively cool themselves.
- A range of sizes are available to meet your specific needs - including voltages up to 480 volts - single and three phase.
- The Frame Duct Heaters have a long history of trouble free service and are easy to install. Not for HVAC use.



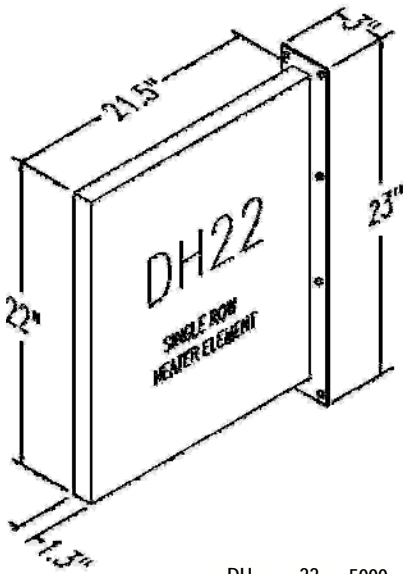
Wattage & Voltage Options

- 1.0kW-4.0kW, single phase, 120V
- 1.0kW-6.0kW, single phase, 240V
- 2.0kW-6.0kW, single phase, 480V
- 1.0kW-6.0kW, three phase, 240V
- 1.0kW-6.0kW, three phase, 480V



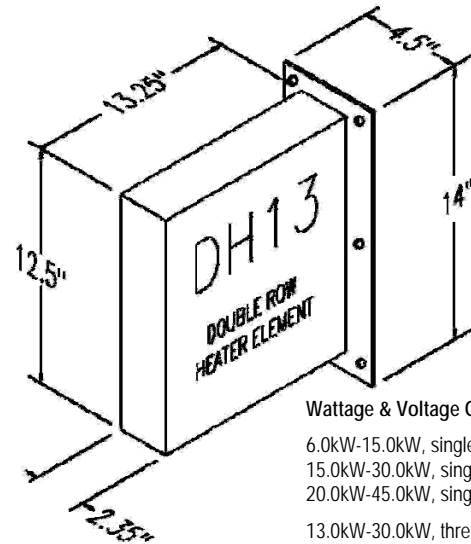
Wattage & Voltage Options

- 2.4kW-18kW, single phase, 120V
- 4.0kW-15.0kW, single phase, 240V
- 4.0kW-20.0kW, single phase, 480V
- 2.0kW-17.5kW, three phase, 240V
- 3.0kW-20.0kW, three phase, 480V



Wattage & Voltage Options

- 5.0kW-15.0kW, single phase, 120V
- 5.0kW-32.5kW, single phase, 240V
- 5.0kW-45.0kW, single phase, 480V
- 5.0kW-32.5kW, three phase, 240V
- 5.0kW-60.0kW, three phase, 480V



Wattage & Voltage Options

- 6.0kW-15.0kW, single phase, 120V
- 15.0kW-30.0kW, single phase, 240V
- 20.0kW-45.0kW, single phase, 480V
- 13.0kW-30.0kW, three phase, 240V
- 15.0kW-45.0kW, three phase, 480V

DH	22	5000	120	1
Duct Heater	Heater Dimension	Wattage	Voltage	Phase



www.farnam-custom.com

Ph: (828) 684-3766 • Fax: (828) 684-3768

Revised 5/23/2011