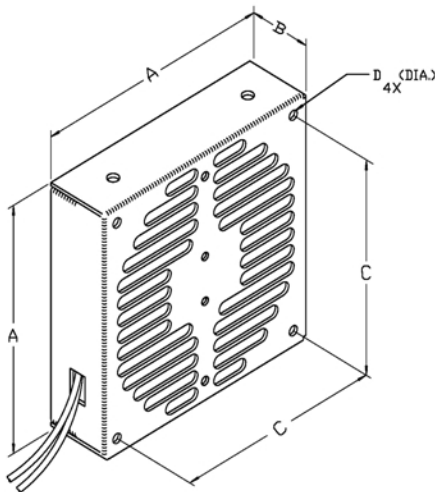


A XIAL FAN HEATER



AF20

- Axial Fan Heaters (Series AF20) mount directly to square axial fans. The AF20 heater housing uses the same mounting holes and functions as a guard for both heaters and fans. (Fans available separately.)
- Axial Fan Heaters are available in several sizes with a broad range of wattages and custom features. They are ideal for drying, curing and warming applications typically found in film processing, lab, and medical instruments.
- The 3.1" and 4.7" size Axial Fan Heaters are UL recognized components under UL file number E154979. The 2.4" size is not UL approved.



Size	Dim. A	Dim. B	Dim. C	Dim. D
2.4	2.34	1.25	1.97	.166
3.1	3.125	1.25	2.81	.188
4.7	4.68	1.25	4.125	.188

Wattage Options

- 2.4"- 50W-175W
- 3.1"- 50W-450W
- 4.7"- 50W-800W

Voltage Options

- 2.4"- 12V, 24V, 48V, 120V, 240V
- 3.1"- 120V, 240V
- 4.7"- 120V, 240V

Over-temperature Cutout

- X- Thermostat not required
 - 1A- 65°C (149°F)
 - 1B- 70°C (158°F)
 - 1C- 80°C (176°F)
 - 1D- 85°C (185°F)
 - 1E- 90°C (194°F)
 - 1F- 100°C (212°F)
 - 1G- 120°C (248°F)
 - 1H- 130°C (266°F)
 - 1J- 150°C (302°F)
- Note: If thermostat is specified it must be used in conjunction with a thermal fuse.

Thermal Fuse

- X- Fuse not required
 - D- 93°C (199°F)
 - F- 104°C (219°F)
 - H- 117°C (243°F)
 - K- 128°C (262°F)
 - L- 152°C (306°F)
 - M- 184°C (363°F)
 - N- 192°C (377°F)
 - R- 229°C (444°F)
- Note: Fuse set-point is a minimum if 25°C above thermostat set-point or routine temperature spike.

Part Number Key

AF20	50	120	1A	D	10	4.7	(XXX)
Axial Fan Heater	Wattage	Voltage	Thermostat	Fuse	Lead Length	Heater Dimension	Modification



www.farnam-custom.com

Ph: (828) 684-3766 Fax: (828) 684-3768

Revised 9/22/08